

MFC Magnetic Fuel Conditioners

Devices for fuel treatment aimed to:

- Eliminate biological contamination
- Removal of abrasive elements from pipes and tanks
- Reduce filter saturation
- To improve the ignition and combustion.

Compatible with all fuel & biofuel types.

Uses:

- Wholesale fuel distribution
- Gas stations
- Ship diesel engines
- Power plants
- Fuel tanks for own consumption in several industries and transport companies.

Dimensions

- Connection diameters: 2" NPT and DIN-EN flanges from 3" and up

Materials

- Full stainless steel construction
- Magnets covered with stainless steel to avoid corrosion and degradation

Mounting position

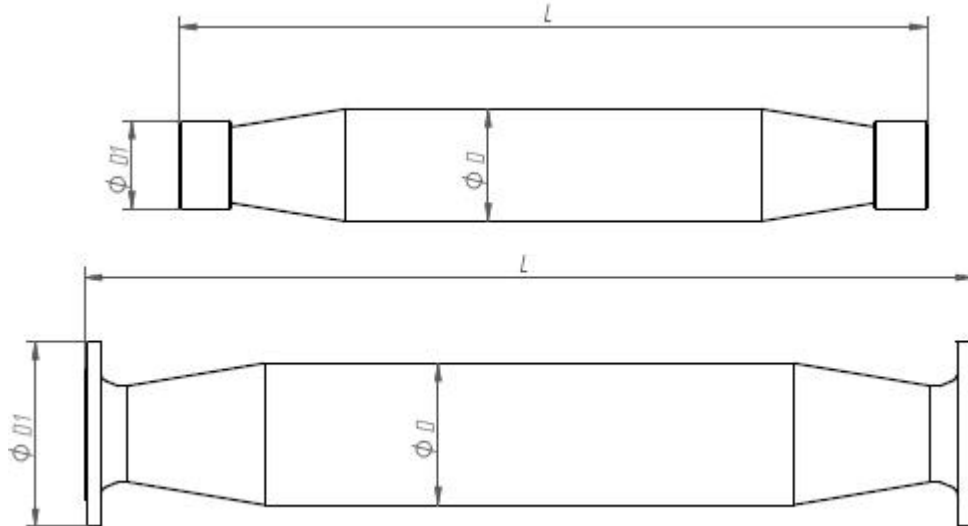
- Any

Advantages:

- Incorporates hi-power magnets able to reach very high efficiency.
- Very low pressure drop, less than 20 mbar.



MFC Magnetic Fuel Conditioners



DESIGN DATA - Model >	MFC	112-SG02	124-FE03	324-FE04	624-FE06	1224-FE08
Design code		EN-13445				
Statutory regulations		PED97/23EC				
Design internal pressure	Mpa	1,6				
Test pressure	Mpa	2,29				
Design temperature	° C	40				
Empty weight	kg	4	15	24	40	70
Internal Volume	l	3	8	19	32	52
Service weight	kg	7	23	43	72	122
Surface finish		Pickling and passivation				
Operating flow normal / max.	lit/min	400 / 500	1000 / 1200	2000 / 2500	3300 / 4000	5000 / 6000
Connections	DN	2" ISO 228	DN80 PN16	DN100 PN16	DN150 PN16	DN200 PN16
General dimensions (mm)	D	88,9	114,3	168,3	219,1	273
	D1	70	200	220	285	340
	L	594	934	1058	1044	1110

Ask for other flows and diameters

Availability of magnetic devices to be inserted inside our HDF & HFX cartridge filters series.

Filtration experts since 1984

Informational purposes only.

Data may be changed without prior notice

Hispano Europea de Comercio e Industria S.A.

Calidad, 24 - Pol. Los Olivos - 28906 Getafe (Madrid) España

Tel. + (34) 916 967 039 Fax + (34) 916 950 352

e-mail: sales@hecisa.com <http://www.hecisa.com>

