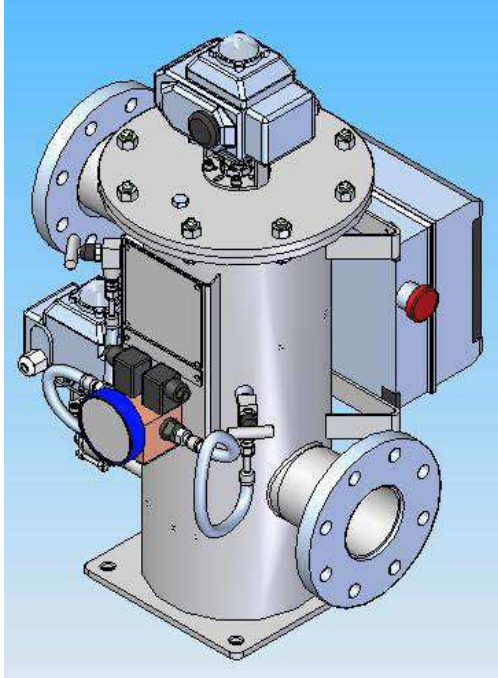
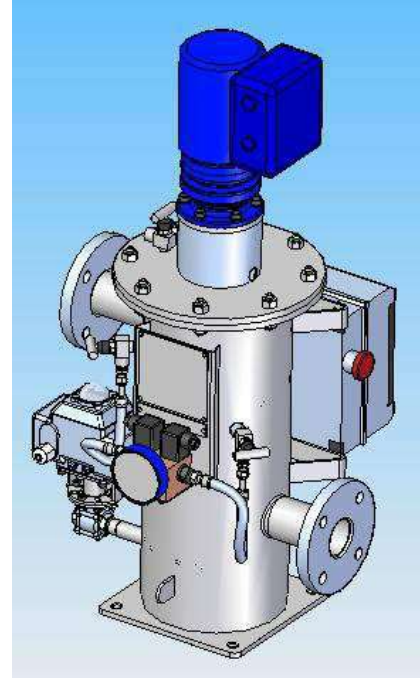


Self cleaning filter HSBI/HSBIO-X-05/10 ND50 & 80

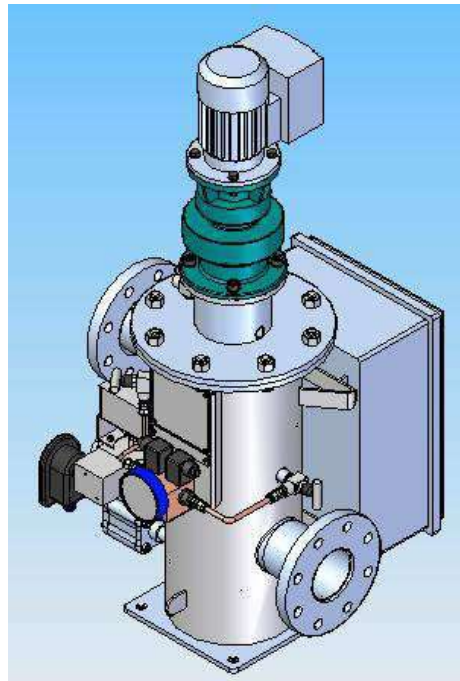
Versión M, Accionamiento motor 24V
M version, Drive 24V 50/60 Hz



Versión M, Accionamiento motor 230/400 V
M version, Drive 230 to 480 V 50/60 Hz



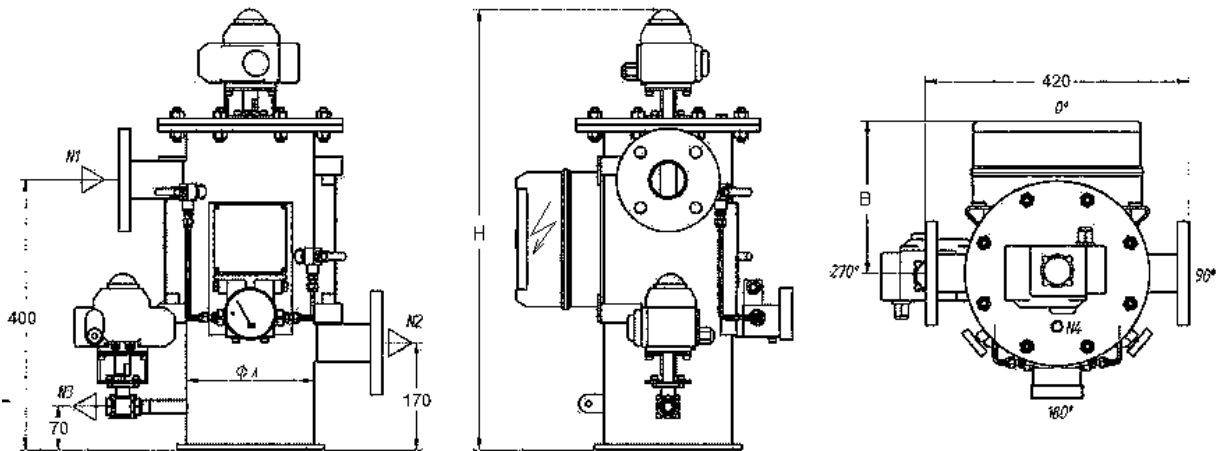
Versión A, Accionamiento motor EEX – ATEX, 230 to 480 V, 50/60 Hz
M version, Drive explosion proff – EEX – ATEX, 230 a 480 V, 50/60 Hz



Filtration experts since 1984

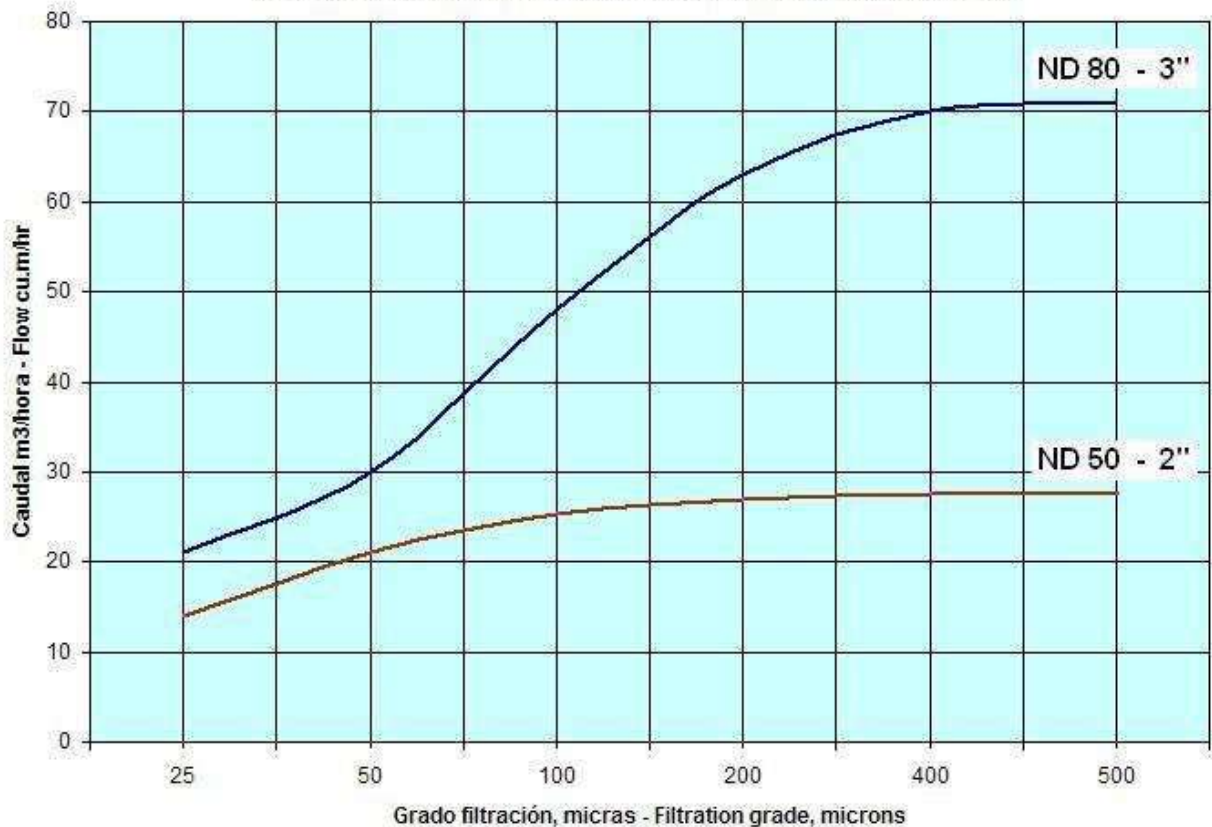
Data and information is for reference only, and may vary depending on specific application

Self cleaning filter HSBI/HSBIO-X-05/10 ND50 & 80



NOTA: Las dimensiones B y H varían en función de la versión del sistema de accionamiento
NOTE: Dimensions B and H vary depending on the cleaning drive system version

Caudal filtro - Flow filter HSBI-x-05/10 - DN 50 / 80 , ND 2" / 3"



Code X=material, W:SS316L, D:Duplex Steel 2205, S:Duplex Steel 2507, M:Monel, T:Titanium

Filtration experts since 1984

Data and information is for reference only, and may vary depending on specific application

Hispano Europea de Comercio e Industria S.L.
Calidad, 24 - Pol. Los Olivos - 28906 Getafe (Madrid) España
Tel. (34) 916 967 039 Fax (34) 916 950 352
e-mail: sales@hecisa.com <http://www.hecisa.com>

