



Resume

1. - HSC Series Self cleaning filters.
2. - HSBI Self cleaning filters.
3. - HSBIL Series Self cleaning filters.
4. - HSBI A Series self cleaning filters.
5. - HFC Series Basket filters and strainers.
6. - HIF Cartridge filters.
- 7.- Other Filter series
8. - Special filters for naval applications.
9. - Products List



Please contact us for more information or for a specific requirement about filtration.

Filtration experts since 1984

Data and information is for reference only, and may vary depending on specific application

Hispano Europea de Comercio e Industria S.L.
Calidad, 24 - Pol. Los Olivos - 28906 Getafe (Madrid) España
Tel. (34) 916 967 039 Fax (34) 916 950 352
e-mail: sales@hecisa.com <http://www.hecisa.com>



Self cleaning filters HSC- Series

Automatic backwashing self-cleaning filters, these filters use own filtered water for his cleaning. Are sold complete, including control box and electrical wiring.

Advantages:

No flow interruption during cleaning cycle.
Low power consumption required.
Very little water consumption for cleaning.
Heavy duty construction for a long service life and very low maintenance

HSC-J model

7 different sizes, with nominal flow rates from 20 to 750 cu.m.hour.

Filtration rating from 50 microns to several mm. in the standard series and from 5 to 40 microns in the class "P" with filter elements type "HMP" or "HWP"

Construction materials:

Stainless Steel class 316
Duplex and Super Duplex Steel
Monel and more



HSC- model

8 different sizes, with nominal flow rates up to 4,000 cu.m.hour.

Filtration rating from 50 microns to several mm. in the standard series and from 3 to 40 microns in the class "P" with filter elements "HMP" or "HWP"

Construction materials:

Carbon Steel epoxy coated, Stainless Steel class 316
Duplex and Super Duplex Steel, Monel and more



HSC2- model

13 different sizes, with nominal flow rates up to 22,000 cu.m.hour.

Filtration rating from 50 microns to several mm. in the standard series and from 3 to 40 microns in the class "P" with filter elements type "HMP" or "HWP"

Construction materials:

Carbon Steel epoxy coated, Stainless Steel class 316
Duplex and Super Duplex Steel, Monel and more



Filtration experts since 1984

Data and information is for reference only, and may vary depending on specific application

Hispano Europea de Comercio e Industria S.L.
Calidad, 24 - Pol. Los Olivos - 28906 Getafe (Madrid) España
Tel. (34) 916 967 039 Fax (34) 916 950 352
e-mail: sales@hecisa.com <http://www.hecisa.com>



Self-cleaning Filters HSBI Series

Self cleaning filters with cleaning system by scratching of the filtration surface, suitable for water and many other fluids included viscous and loaded fluids. Several sizes for flows from 10 to more than 3000 cu m/hour. Filtration grades from 25 microns.

Applicable for separation in solids with higher density than the fluid.

Advantages:

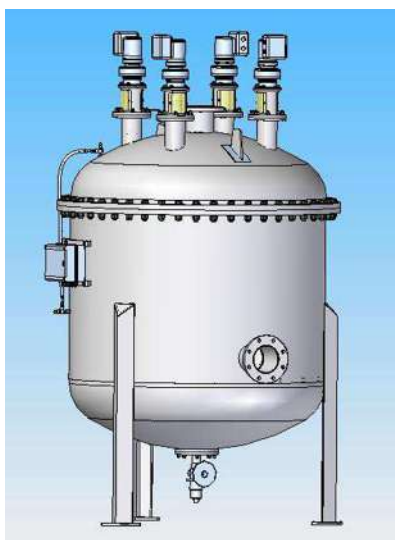
Cleaning without flow interruption, discharge of solids every n-cleanings.

Advanced hydrodynamic design for the gravity separation of large particles.

Very small amount of liquid required for the evacuation of the solids.

Heavy duty construction for a long service life and very low maintenance

Made in Stainless Steel grade 316, Duplex and Super Duplex Steel, Monel and more



Filtration experts since 1984

Data and information is for reference only, and may vary depending on specific application

Hispano Europea de Comercio e Industria S.L.
Calidad, 24 - Pol. Los Olivos - 28906 Getafe (Madrid) España
Tel. (34) 916 967 039 Fax (34) 916 950 352
e-mail: sales@hecisa.com <http://www.hecisa.com>



Self cleaning Filters HSBIA Series

Self cleaning filters with cleaning system by scratching and hydrodynamic evacuation.
Several sizes for flows from 100 to more than 10000 cu.m./hour.
Filtration grades from 200 microns to several millimetres.

Advantages:

Very low time required for flushing.

Cleaning without flow interruption.

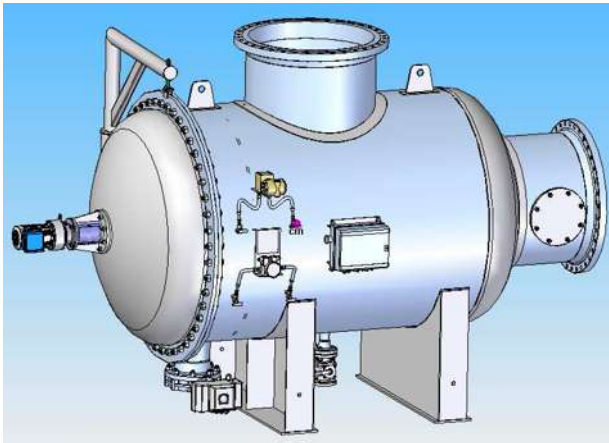
Heavy duty construction for a long service life and very low maintenance

Made in Stainless Steel grade 316, Duplex and Super Duplex Steel, Monel and more

Version CPA

Sizes from NB 200 to 400 (NB 8" to 16")

Also available the version CPH for horizontal mounting, all sizes, support with saddles.



Version VPN

Sizes from NB 450 to 600 (NB 16" to 24")



Filtration experts since 1984

Data and information is for reference only, and may vary depending on specific application

Hispano Europea de Comercio e Industria S.L.
Calidad, 24 - Pol. Los Olivos - 28906 Getafe (Madrid) España
Tel. (34) 916 967 039 Fax (34) 916 950 352
e-mail: sales@hecisa.com <http://www.hecisa.com>



Automatic Self-cleaning Filters HSBIL Series

Self cleaning filters with cleaning system by scratching and suction of the filtration surface. Several sizes for flows from 30 to more than 10000 cu.m./hour. Filtration grades from 25 microns to several millimetres.

Advantages:

Different executions for assembly in any position.

Cleaning without flow interruption.

Advanced hydrodynamic design for the gravity separation of the largest particles.

Very low flushing for cleaning.

Heavy duty construction for a long service life and very low maintenance

Made in Stainless Steel grade 316, Duplex and Super Duplex Steel, Monel and more

CPH model

Horizontal mounting



CPA – model

Mounting in any position,

The outlet can be in any orientation



VPN – model

Vertical mounting

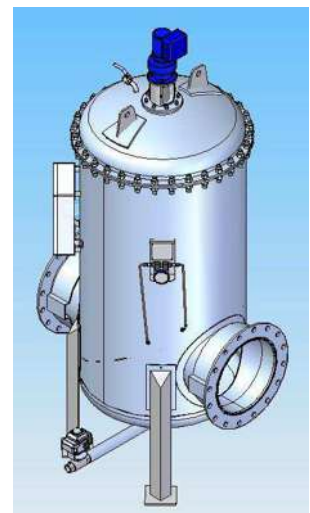
Inlet on the lower part, outlet on the upper part



VPL – model

Vertical mounting

In line



VPI – model

Vertical mounting

Inlet on the upper part, outlet on the lower part

Filtration experts since 1984

Data and information is for reference only, and may vary depending on specific application

Hispano Europea de Comercio e Industria S.L.
Calidad, 24 - Pol. Los Olivos - 28906 Getafe (Madrid) España
Tel. (34) 916 967 039 Fax (34) 916 950 352
e-mail: sales@hecisa.com <http://www.hecisa.com>



Basket Filters HFC Series

Manual filters for all applications.

Filtration grades from 1 micron to several millimetres.

Advantages:

Large filtration area.

Many options available: simplex, duplex, vertical, horizontal, in line and more.

Heavy duty construction for a long service life and very low maintenance

Made in Carbon Steel, Stainless Steel, Duplex and Super Duplex Steel, Monel and more



Filtration experts since 1984

Data and information is for reference only, and may vary depending on specific application

Hispano Europea de Comercio e Industria S.L.
Calidad, 24 - Pol. Los Olivos - 28906 Getafe (Madrid) España
Tel. (34) 916 967 039 Fax (34) 916 950 352
e-mail: sales@hecisa.com <http://www.hecisa.com>



Cartridge Filters HIF Series

Cartridge manual filters for all applications.

All filtration grades, all type of cartridges in all materials.

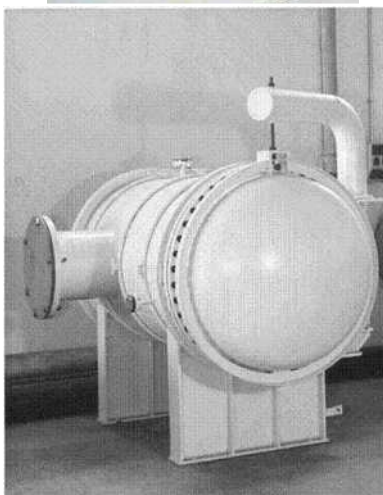
Advantages:

Large filtration area.

Many options available.

Heavy duty construction for a long service life and very low maintenance

Made in Carbon Steel, Stainless Steel, Duplex and Super Duplex Steel, Monel and more



Filtration experts since 1984

Data and information is for reference only, and may vary depending on specific application

Hispano Europea de Comercio e Industria S.L.
Calidad, 24 - Pol. Los Olivos - 28906 Getafe (Madrid) España
Tel. (34) 916 967 039 Fax (34) 916 950 352
e-mail: sales@hecisa.com <http://www.hecisa.com>



Special Filters for Naval Applications

Self cleaning filters and manual filters for all civil and military marine applications.
All filtration grades also filter separators.

Advantages:

Many options available.

Heavy duty construction for a long service life and very low maintenance

Made in Carbon Steel, Stainless Steel, Duplex and Super Duplex Steel, Monel and more

Lubrication oil filter



Breathable air filter



Diesel fuel filter



High pressure air filtration system



Diesel fuel automatic treatment system



HSBIL Self cleaning filter for use in marine applications.



Filtration experts since 1984

Data and information is for reference only, and may vary depending on specific application

Hispano Europea de Comercio e Industria S.L.
Calidad, 24 - Pol. Los Olivos - 28906 Getafe (Madrid) España
Tel. (34) 916 967 039 Fax (34) 916 950 352
e-mail: sales@hecisa.com <http://www.hecisa.com>



Products list

- Automatic Self Cleaning filters
- Self Cleaning Strainers
- Automatic Backwash Filter
- Automatic Debris Filter
- Process filters, manual and automatic operation
- Mussel Filter
- Coarse Filter
- Fine Filter
- Filtration skids
- Water Intake Filters
- Screen washing systems
- Drum Screens
- Micro strainers
- Line Filters
- Gas filters
- Basket filters, single and duplex
- Bag filters
- Steam filters
- Static screens
- Movable grids and screens
- Oil filters
- Static mixers
- Gas – liquid mixers
- Liquid – gas separators
- Liquid – liquid separators
- Steam condensed separators
- Condensers and heat exchangers automatic cleaning systems
- Heat Exchangers
- Cyclone separators
- Chemical injection packages and mixing systems
- Special pressure equipment made of all type of metals and alloys

Filtration experts since 1984

Data and information is for reference only, and may vary depending on specific application

Hispano Europea de Comercio e Industria S.L.
Calidad, 24 - Pol. Los Olivos - 28906 Getafe (Madrid) España
Tel. (34) 916 967 039 Fax (34) 916 950 352
e-mail: sales@hecisa.com <http://www.hecisa.com>

