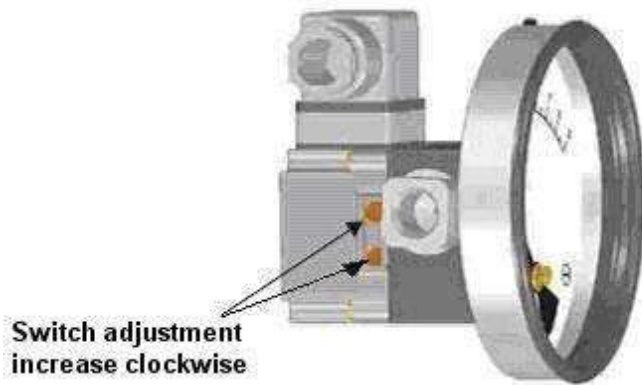


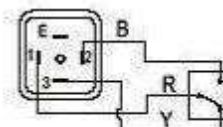
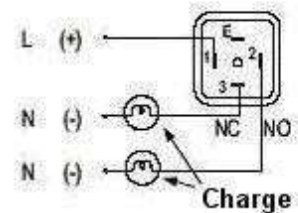
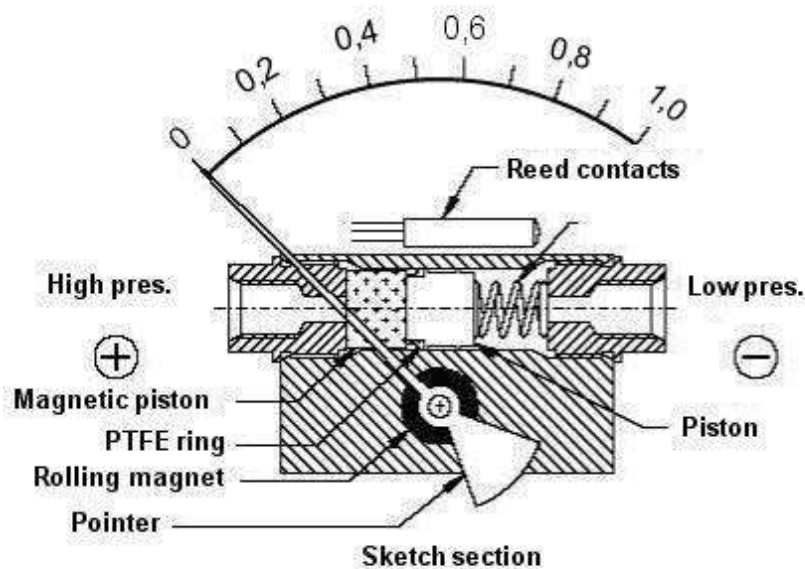
Differential Pressure Gauge model DPG2(x)

Piston type with magnetic coupling, the dial indicator and the switches are not in contact with the fluid.

- Range: Standard 0 to 1 bar, optional up to 10 bar
- Max. pressure: 400 bars in any direction.
- Body materials: (W) AISI 316 or (M) Alloy 400
- Switches: Two RED DPDT independent adjustable switches
- Connectors: Two independent DIN connectors. Optional one 6 pins MIL connector
- Dial: Stainless steel case with glass, diameters 63, 80, 100 or 150 mm.
- Seals: Buna-N standard, optional EPDM, Viton
- Connections: 1/4" NPTF



View from HI pressure side



Filtration experts since 1984

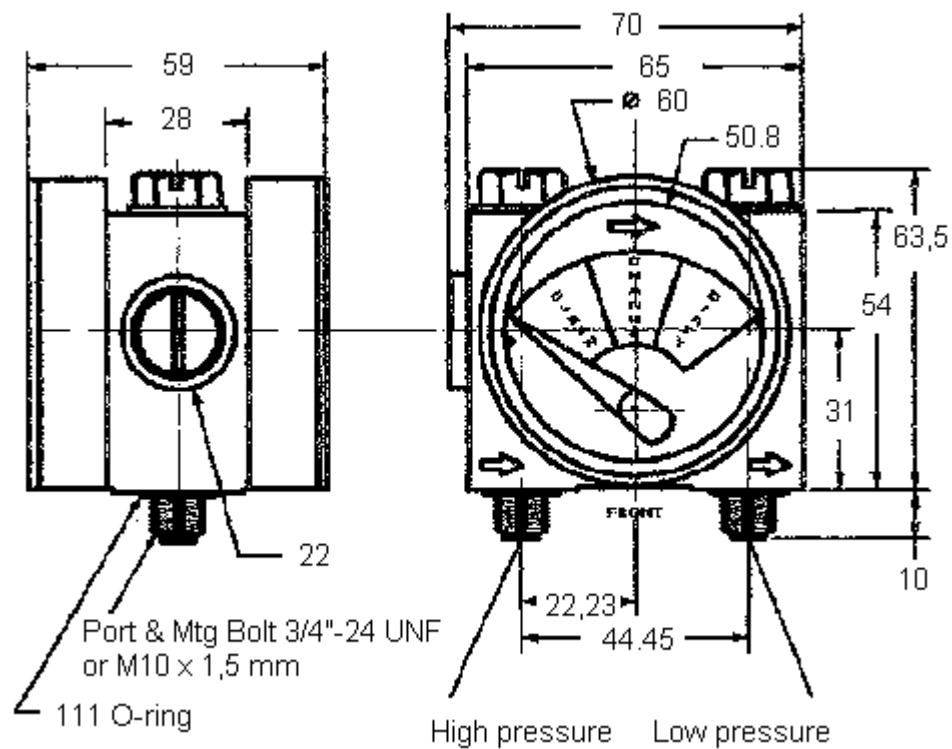
All data are informative, modification rights reserved without notice.

Differential Pressure Gauge DPG-975-25

Piston type, the indicator is not in contact with the fluid.

Range standard:	Green zone: 0 to 0,7 bar
	Yellow zone: 0,7 to 1,4 bar
	Red zone: 1,4 to 1,75 bar
Max. differential pressure:	10 bar
Max. static pressure:	20 bar.
Body material:	Glass reinforced nylon (GFN)
Internals:	Stainless Steel, ceramic and GFN
Elastomers:	Viton
Dial:	Tricolour plastic lens
Mounting position:	Independent, double side dial
Connections:	3/8" – 24 UNF Male, M10 x 1,5 mm as option
Options:	Other ranges up to 10 bar A red switch in a fixed position, not adjustable

General dimensions, mm:



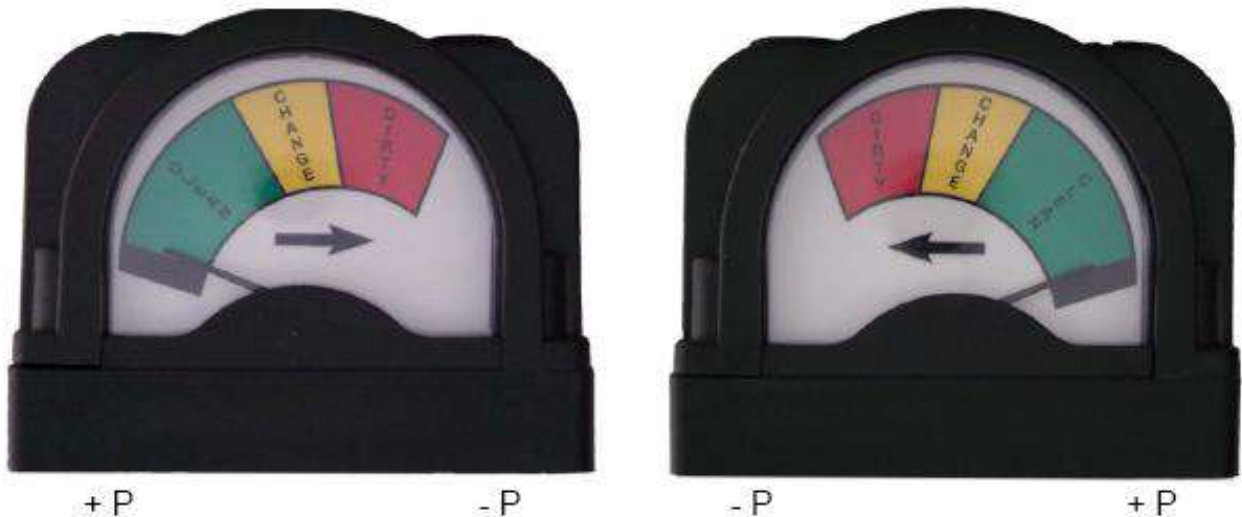
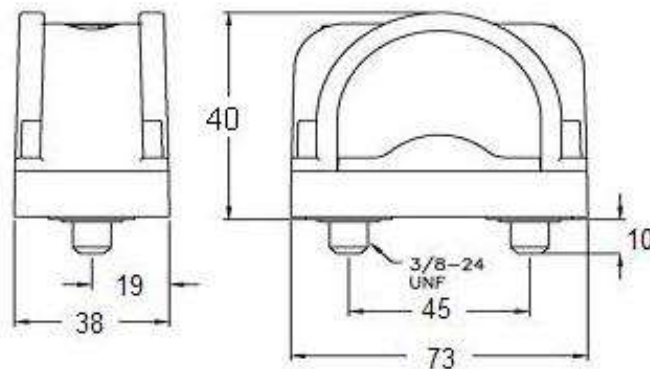
Filtration experts since 1984

All data are informative, modification rights reserved without notice.

Differential Pressure Gauge DPG-550-30

Piston type, the indicator is not in contact with the fluid.

Range standard:	Green zone: 0 to 0,7 bar
	Yellow zone: 0,7 to 1,4 bar
	Red zone: 1,4 to 1,75 bar
Max. differential pressure:	10 bar
Max. static pressure:	20 bar.
Body material:	Glass reinforced nylon (GFN)
Internals:	Stainless Steel, ceramic and GFN
Elastomers:	Viton
Dial:	Tricolour plastic lens
Mounting position:	Independent, double side dial
Connections:	3/8" – 24 UNF Male, M10 x 1,5 mm as option
Options:	Other ranges up to 10 bar
General dimensions, mm:	



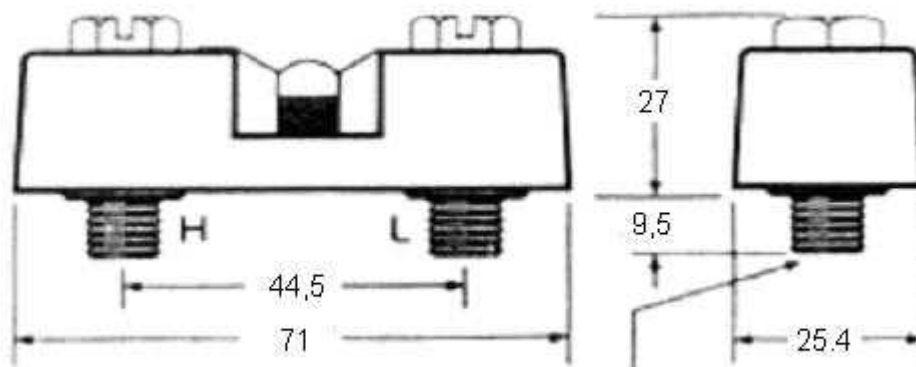
Filtration experts since 1984

All data are informative, modification rights reserved without notice.

Differential Pressure Indicator DPG-175

Piston type, the indicator is not in contact with the fluid.

Range:	Standard 0 to 1,5 bar, optional other ranges up to 10 bar
Max. static pressure:	20 bar.
Body material:	Glass reinforced nylon (GFN)
Internals:	Stainless Steel, ceramic and GFN
Elastomers:	Viton
Dial:	Plastic with bi-color indicator lens
Mounting position:	Reversible, visible 180°
Connections:	3/8" – 24 UNF Male
General dimensions, mm	



Port and mounting bolts



Filtration experts since 1984

All data are informative, modification rights reserved without notice.

Hispano Europea de Comercio e Industria S.L.

Calidad, 24 - Pol. Los Olivos - 28906 Getafe (Madrid) España

Tel. + (34) 916 967 039 Fax + (34) 916 950 352

e-mail: sales@hecisa.com <http://www.hecisa.com>



Sistema de
Gestión
ISO 9001:2015
ISO 14001:2015

www.tuv.com
ID 900002191